

# Verizon Router

For step-by-step instructions, visit [setup.verizon.com/router](https://setup.verizon.com/router) or scan the QR code below.



## 1 Connect your router.

Disconnect your old router (if applicable) and connect the ethernet cable from your new Verizon Router's WAN port to the ethernet port on the device that provides internet in your premises.

## 2 Power up the router.

Plug the router into a power outlet. It might take up to 10 minutes to power up and update. Your setup is complete when the front light is solid white.

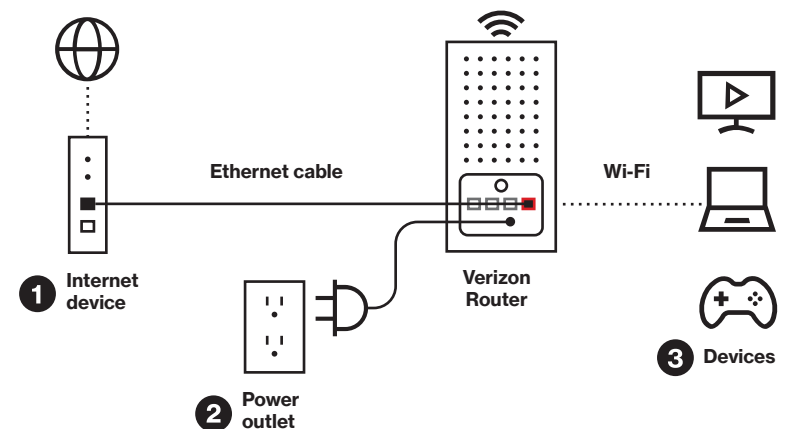
## 3 Connect your devices.

### If you're using an ethernet connection:

Connect your personal device to any LAN port on the router using an ethernet cable.

### If you're using a Wi-Fi connection:

Connect your personal device using the Wi-Fi name and password or scan the QR code found on the back of your router.



For information about our privacy practices, visit [verizon.com/about/privacy/](https://verizon.com/about/privacy/).