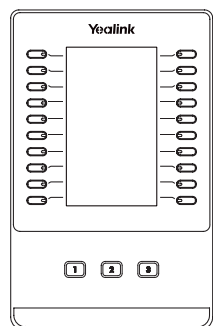


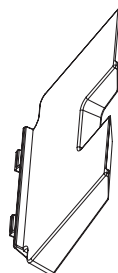
One Talk EXP50 Expansion Module for the T53W, T54W and T57W

Package contents

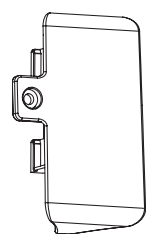
The following items are included in your package.



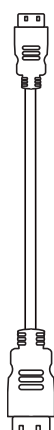
Color-screen expansion module



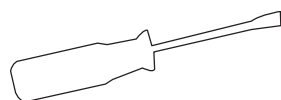
Stand



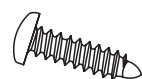
Connecting sheet



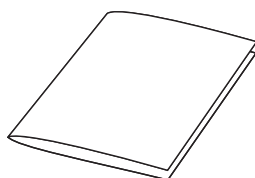
USB cable



Screwdriver



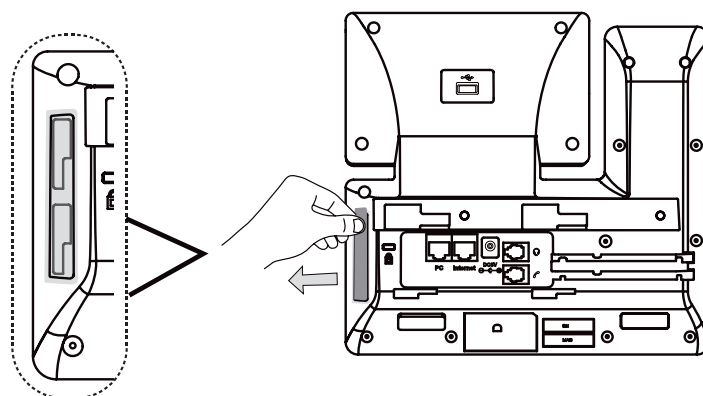
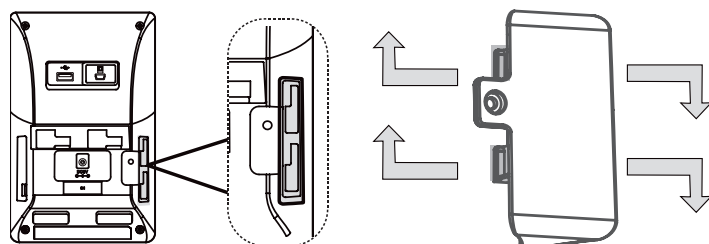
Screw



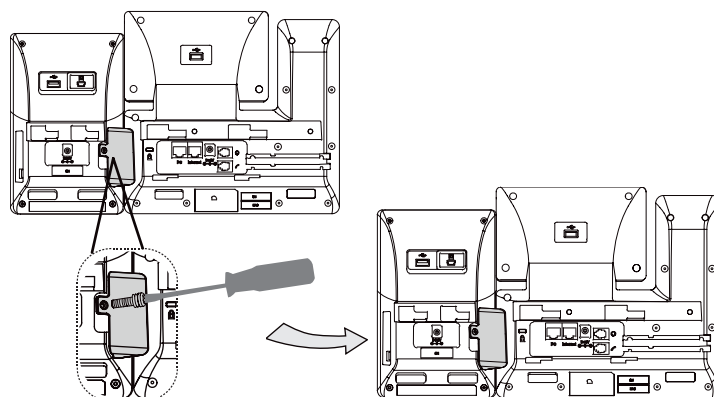
Quick-start guide

Connecting to the phone

1. Connect the EXP50 and the compatible One Talk phone using the supplied screw and connecting sheet, as shown below:

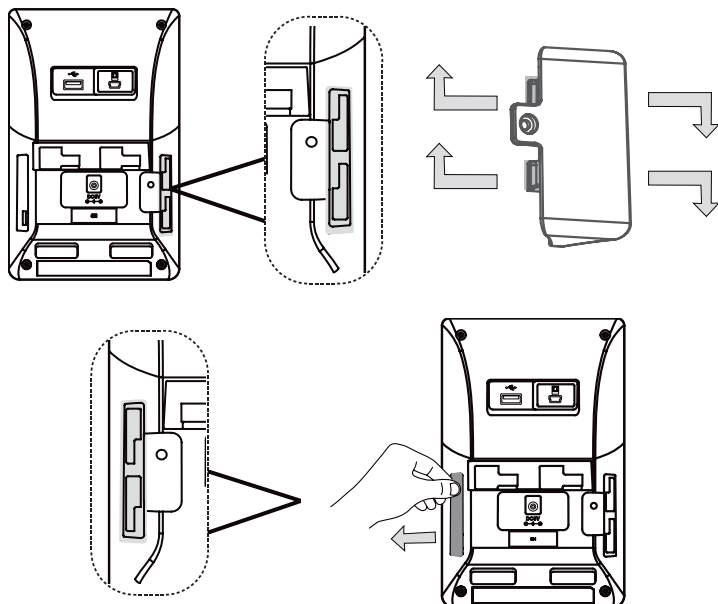


You may need to pull out the silica gel on the phone when connecting the expansion module.



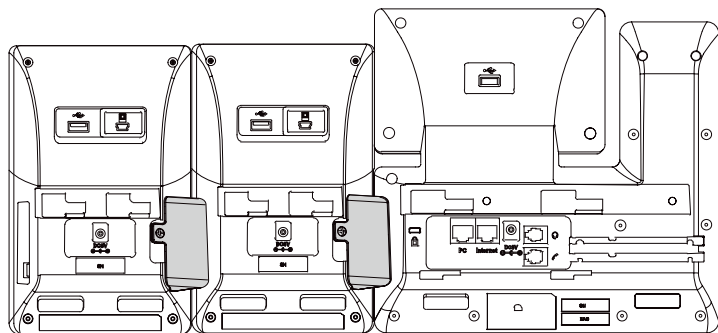
Connecting two expansion modules

2. Follow the same step to connect two expansion modules:



The slots are protected with silica gel. You can pull out the silica gel when cascading expansion modules.

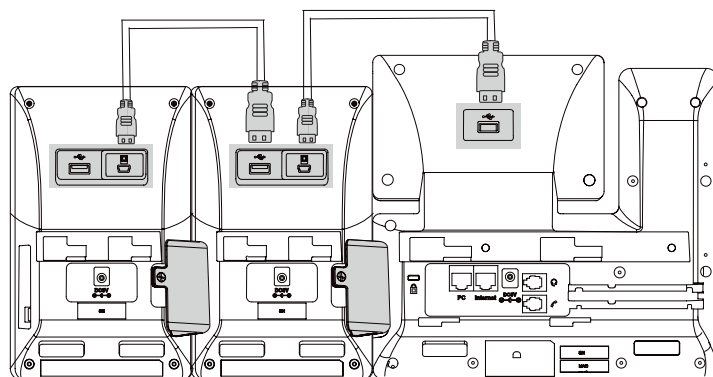
Your phone and the two expansion modules should be connected as shown below:



Note: The T53W/T54W/T57W can support three expansion modules at most. But if you use more than one expansion module, you need to connect an additional Yealink® power adaptor (5 V/2 A) to any one of the expansion modules. The power adaptor must be purchased separately.

Connecting the USB cable

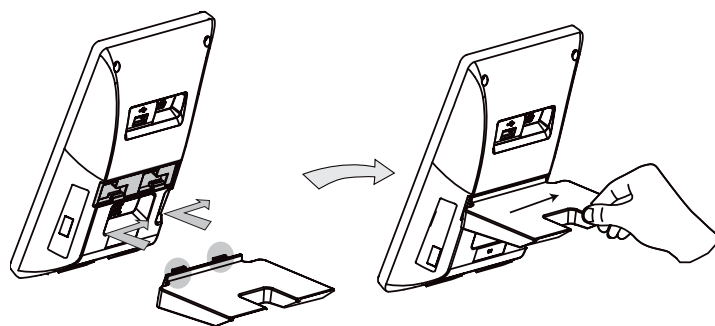
3. Connect the USB jack of the One Talk phone and the mini USB jack of the first module using a USB cable. If you want to connect another module, connect the USB jack of the first module and the mini USB jack of the second module using a USB cable, as shown below:



Note: You just need to connect the USB jack of the previous module and the mini USB jack of the next module using a USB cable.

Then attach the stand, the power adaptor and the Ethernet cable to the phone; connect the handset and headset to use.

Attach the stand, as shown below:



Regulatory notices

Operating ambient temperatures:

- Operating temperature: +14° F to 122° F (-10° C to 50° C)
- Relative humidity: 5% to 90%, noncondensing
- Storage temperature: -22° F to +160° F (-30° C to +70° C)

Safety instructions

Save these instructions. Read these safety instructions before use!

The following basic safety precautions should always be followed to reduce the risk of fire, electrical shock and other personal injury.

General requirements

- Before you install and use the device, read the safety instructions carefully
- During the process of storage, transportation and operation, please always keep the device dry and clean
- During the process of storage, transportation and operation, please avoid smashing or dropping the device
- Do not attempt to dismantle the device

Environmental requirements

- Place the device in a well-ventilated place. Do not expose the device to direct sunlight
- Keep the device dry and free of dust
- Place the device on a stable and level surface
- Please do not place heavy objects on the device
- Do not place the device on or near any flammable or fire-vulnerable materials, such as rubber
- Keep the device away from any heat source or open flame, such as a candle or an electric heater
- Keep the device away from any household appliance with a strong magnetic field or electromagnetic field, such as a microwave oven or a refrigerator

Operating requirements

- Do not let a child operate the device without supervision
- Do not let a child play with the device or any accessory in case of accidental swallowing
- Please use only the accessories provided or authorized by the manufacturer
- The power supply of the device should meet the requirements of the input voltage of the device
- Before plugging in or unplugging any cable, make sure that your hands are completely dry

- Do not spill liquid of any kind on the product or use the equipment near water, for example, near a bathtub, washbowl, kitchen sink, wet basement or swimming pool
- Do not tread on, pull or overbend any cable in case of malfunction of the device
- During a thunderstorm, stop using the device and disconnect it from the power supply
- If the device emits smoke or an abnormal noise or smell, disconnect the device from the power supply and unplug the power plug immediately. Contact the specified maintenance center for repair
- Do not insert any object into equipment slots that is not part of the product or auxiliary product
- Before connecting a cable, connect the grounding cable of the device. Do not disconnect the grounding cable until you disconnect all other cables


Cleaning requirements

- Before cleaning the device, stop using it and disconnect it from the power supply
- Use a piece of soft, dry antistatic cloth to clean the device
- Keep the power plug clean and dry. Using a dirty or wet power plug may lead to electric shock or other hazards

FCC statement

This device complies with Part 15 of the FCC Rules. Operation is subject to the following two conditions: 1) This device may not cause harmful interference, and 2) this device must accept any interference received, including interference that may cause undesired operation.

Environmental recycling

 This device needs to be treated as an electronic device for recycling purposes.

Technical support

For additional support information, please visit verizon.com/support/one-talk