

Westell®
VERSALINK™ GATEWAY (MODEL 327W)

Quick Start Guide



Congratulations!

You are on your way to experiencing the Internet with DSL at speeds significantly faster than traditional modems. With your purchase of the Westell® VersaLink™ Gateway, you will also enjoy the following features:

- Always-on connection
- Multiple users can share the connection using Wireless IEEE 802.11b/g/g+ and Ethernet connections.

Follow the steps in this Quick Start Guide and get online fast! Before you begin, check the package contents to ensure that all components are included.

NOTE: Internet service provider subscriber software and connection requirements may vary. Consult your Internet service provider for installation instructions. Please wait until you have received notification from your service provider that your DSL line has been activated before installing the Westell® VersaLink™ Gateway and software.

Before you begin:

Make sure that your kit contains the following items.

- Westell® Versa Link™ Gateway
- Power Supply
- RJ-45 Ethernet cable (straight-through) (yellow)
- RJ-11 Phone cable
- SMA Antenna
- Westell CD-ROM containing User Guide in PDF format
- Quick Start Guide

Networking Requirements

Connection Type	Minimum System Requirements
ETHERNET	<ul style="list-style-type: none"> • Pentium® or equivalent and above class machines, Macintosh • Microsoft® Windows® (95, 98, 2000, ME, NT 4.0, or XP), Macintosh® OS X, or Linux installed • Computer Operating System CD-ROM on hand • Internet Explorer 4.x or Netscape Navigator 4.x or higher • 64 MB RAM (128 MB recommended) • 10 MB of free hard drive space • TCP/IP Protocol stack installed • 10/100 Base-T Network Interface Card (NIC)
WIRELESS IEEE 802.11g	<ul style="list-style-type: none"> • Pentium® or equivalent and above class machines • Microsoft® Windows® (98, ME, 2000, or XP) or Macintosh® OS X installed • Computer Operating System CD-ROM on hand • Internet Explorer 4.x or Netscape Navigator 4.x or higher • 64 MB RAM (128 MB recommended) • 10 MB of free hard drive space • An available IEEE 802.11b/g/g+ PC adapter

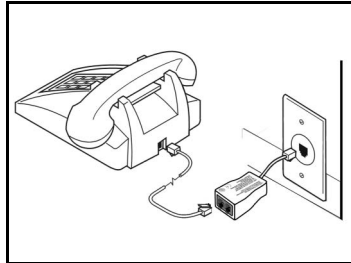
INSTALLING THE MICROFILTERS

1

If your DSL service shares the same line as your fax machine or telephone, you need to install a filter. Please follow the installation procedure in this section, and be sure to install one filter on every phone line that has a telephone, answering machine, or fax machine.

Connect a DSL filter to standard telephone equipment:

1. Plug the short cord that is attached to the DSL filter into the phone jack on the wall plate.
2. Plug the standard telephone cable from the telephone device into the jack of the DSL filter where it is labeled "PHONE."



Note: Repeat these steps for each telephone. However, **DO NOT** place a microfilter on the DSL cord that is used to connect the Router to the wall jack.

Connect a microfilter to telephone equipment and DSL equipment that share the same wall jack:

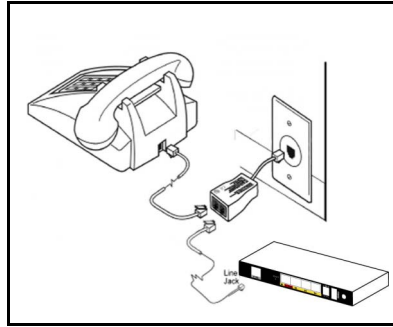
1. Plug the short cord that is attached to the DSL filter into the phone jack on the wall plate.
2. Plug the standard telephone cable from the telephone device into the jack of the DSL filter where it is labeled "PHONE."



3. Plug one end of the DSL phone cable (that you received in the microfilter kit) into the DSL filter where it is labeled "HPN."



4. Plug the other end of the DSL phone cable into the DSL Line jack located on the rear panel of the Router.



2**INSTALLING VERSALINK**



This section explains the procedures for installing VersaLink. You may choose to install VersaLink in one of three ways: Ethernet only, Wireless only, or both Ethernet and Wireless simultaneously. To install VersaLink via 10/100 Base-T Ethernet only, refer to section 2A. To install VersaLink via Wireless only, refer to section 2B. If you want to install VersaLink via Ethernet and Wireless ports simultaneously, refer to section 2C.

NOTE: If you are using VersaLink™ in conjunction with an Ethernet Hub or Switch, refer to the manufacturer's instructions for proper installation and configuration. When using a Microfilter, be certain that the DSL phone cable is connected to the "DSL/HPN" non-filtered jack. **Westell recommends the use of a surge suppressor to protect equipment attached to the AC power supply.**

When using the optional uplink port (E1), Ethernet LAN connection is limited to E2, E3, and E4. The UPLINK feature is optional, and if UPLINK is not enabled in the .ini file, the Router will use DSL and Wireless only.

2A. Installation via 10/100 Base-T/Ethernet Connections

NOTE: Before you connect via 10/100 Base-T, you must have an available Ethernet card installed in your computer. If your Ethernet card does not auto-negotiate, you must set it to half duplex. Refer to the Ethernet card manufacturer's instructions for installing and configuring your Ethernet card.

1. Connect the power supply cord to the power connector marked **DC 9V** on the rear panel of VersaLink. Plug the other end of the power supply into a wall socket.
2. Connect the DSL phone cable from the jack marked  on the rear panel of VersaLink to the DSL-equipped telephone line jack on the wall.
IMPORTANT: Do not use a DSL filter on this connection. You must use the phone cord that was provided with the kit.
3. Connect the yellow Ethernet cable from any one of the Ethernet jacks marked  on the rear panel of VersaLink to the Ethernet port on your computer. **Repeat this step to connect up to three additional PCs to VersaLink.**

NOTE: You may connect to any of the four Ethernet jacks on the rear panel of VersaLink as they serve as an Ethernet switch.

4. Check to see if the DSL LED is solid green. If the DSL LED is solid green, VersaLink is functioning properly.

5. Check to see if the Ethernet LED is solid green. Solid green indicates that the Ethernet connection is functioning properly.

Congratulations! You have completed the Ethernet hardware installation. No software installation is required when using only an Ethernet connection. You must now proceed to section 3 for instructions on accessing VersaLink.

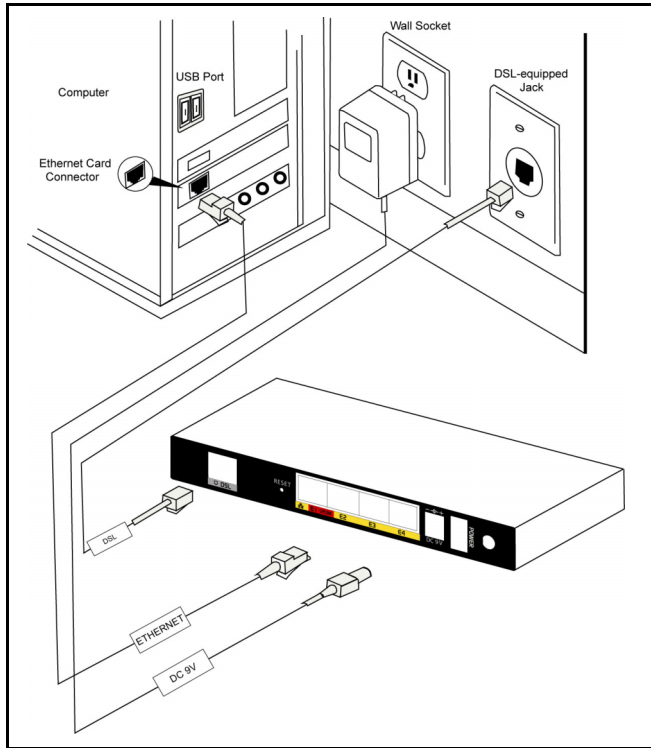



Figure 1. Connection via 10/100 Base-T/Ethernet

2B. Installation via Wireless

IMPORTANT: If you are connecting to VersaLink via a wireless network adapter, the service set ID (SSID) must be the same for both VersaLink and your PC's wireless network adapter. The default SSID for VersaLink is the serial number of the unit (located below the bar code on the bottom of the unit and also on the Westell shipping carton). Locate and run the utility software provided with your PC's Wireless network adapter and enter the SSID value. The PC's wireless network adapter must be configured with the SSID (in order to communicate with VersaLink) before you begin the account setup and configuration procedures. Later, for privacy you can change the SSID by following the procedures outlined in the Wireless Configuration section of the User Guide provided with your kit.

NOTE: Client PCs can use any Wireless Fidelity (Wi-Fi) 802.11b/g/g+ certified card to communicate with VersaLink. The Wireless card and VersaLink must use the same Wired Equivalent Privacy (WEP) security code type. The factory default for WEP is DISABLED. If you enable WEP, you must ensure the network setting for your wireless adapter is set to "Must Use Shared Key for WEP" or "Open Wi-Fi." You must ensure that your PC's Wi-Fi adapter is configured properly for whichever network setting you use. You can access the settings in the advanced properties of the wireless network adapter.

To network VersaLink to additional computers in your home or office using a wireless installation, you will need to confirm the following:

1. Ensure that an 802.11b/g/g+ wireless network adapter has been installed in each PC on your wireless network.
2. Install the appropriate drivers for your Wireless IEEE802.11b or IEEE802.11g adapter.
3. Make sure the SMA antenna connector is loose. Orient the antenna in the proper configuration. Then, tighten the antenna knob to lock it into place.
4. Connect the power supply cord to the power connector marked **DC 9V** on the rear panel of VersaLink. Plug the other end of the power supply into a wall socket.
5. Connect the DSL phone cable from the connector marked  on the rear panel of VersaLink to the DSL-equipped telephone line jack on the wall. **IMPORTANT:** Do not use a DSL filter on this connection. You must use the phone cord that was provided with the kit.
6. Check to see if the DSL LED is solid green. If the DSL LED is solid green, VersaLink is functioning properly.
7. Check to see if VersaLink's Wireless LED is solid Green. This means that the Wireless interface is functioning properly.

Congratulations! You have completed the Wireless installation VersaLink. You must now proceed to section 3 for instructions on accessing VersaLink.

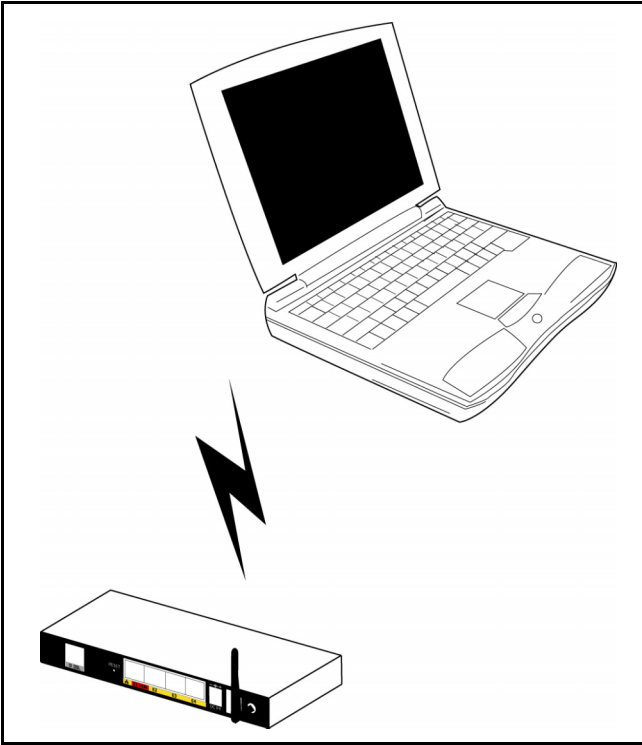



Figure 2. Connection via Wireless

2C. Ethernet, Wireless, Combination Hardware Installation

VersaLink™ supports simultaneous use of 10/100 Base-T Ethernet and Wireless IEEE 802.11b/g ports. The following instructions explain how to install VersaLink for simultaneous use of Ethernet and Wireless ports.

NOTE: Refer to Figure 1 and Figure 2 for illustrations on hardware installation via Ethernet and Wireless connections, respectively.

1. Ensure that an 802.11b/g/g+ wireless network adapter has been installed in each PC on your wireless network
2. Install the appropriate drivers for your Wireless IEEE802.11b or IEEE802.11g adapter.
3. Make sure the SMA antenna connector is loose. Orient the antenna in the proper configuration. Then, tighten the antenna knob to lock it into place.
4. Connect the power supply cord to the power connector marked **DC 9V** on the rear panel of VersaLink. Plug the other end of the power supply into a wall socket.
5. Connect the DSL phone cable from connector marked  on the rear panel of VersaLink to the DSL-equipped telephone line jack on the wall.
IMPORTANT: Do not use a DSL filter on this connection. You must use the phone cord that was provided with the kit.
6. Connect the yellow Ethernet cable from any one of the Ethernet jacks

marked  on the rear panel of VersaLink to the Ethernet port on your

computer. **Repeat this step to connect up to three additional PCs to VersaLink.**

NOTE: You may connect to any of the four Ethernet jacks on the rear panel of VersaLink as they serve as an Ethernet switch.

7. Check to see if the DSL LED is solid green. If the DSL LED is solid green, VersaLink is functioning properly.
8. Check to see if the Ethernet LED is solid green. Solid green indicates the Ethernet connection is functioning properly.
9. Check to see if VersaLink's Wireless LED is solid Green. This means that the Wireless interface is functioning properly.

Congratulations! You have completed the simultaneous hardware (Ethernet and Wireless) installation. You must now proceed to section 3 for instructions on accessing VersaLink.



ACCESSING VERSALINK

Before you can browse the Internet using VersaLink, you must perform the following steps.

1. Access VersaLink by clicking on your web browser. Next, type either **http://dslrouter** or **http://192.168.1.1** in the web browser's address window and press 'Enter' on your keyboard.
2. Follow the instructions in the screens to set up your account profile.

NOTE: If you need further instructions during your Account Setup, refer to section 7, 'Configuring VersaLink for Internet Connection' of the User Guide, which is located on the Westell CD-ROM that you received with your kit.

PUBLICATION INFORMATION

Westell® VersaLink™ Gateway (Model 327W)
Quick Start Part No. 030-300391 Rev. A

© 2004 Westell, Inc.
All rights reserved.

Westell, Inc.
750 North Commons Drive
Aurora, Illinois 60504 USA
www.westell.com

All trademarks and registered trademarks are the property of their respective owners.

